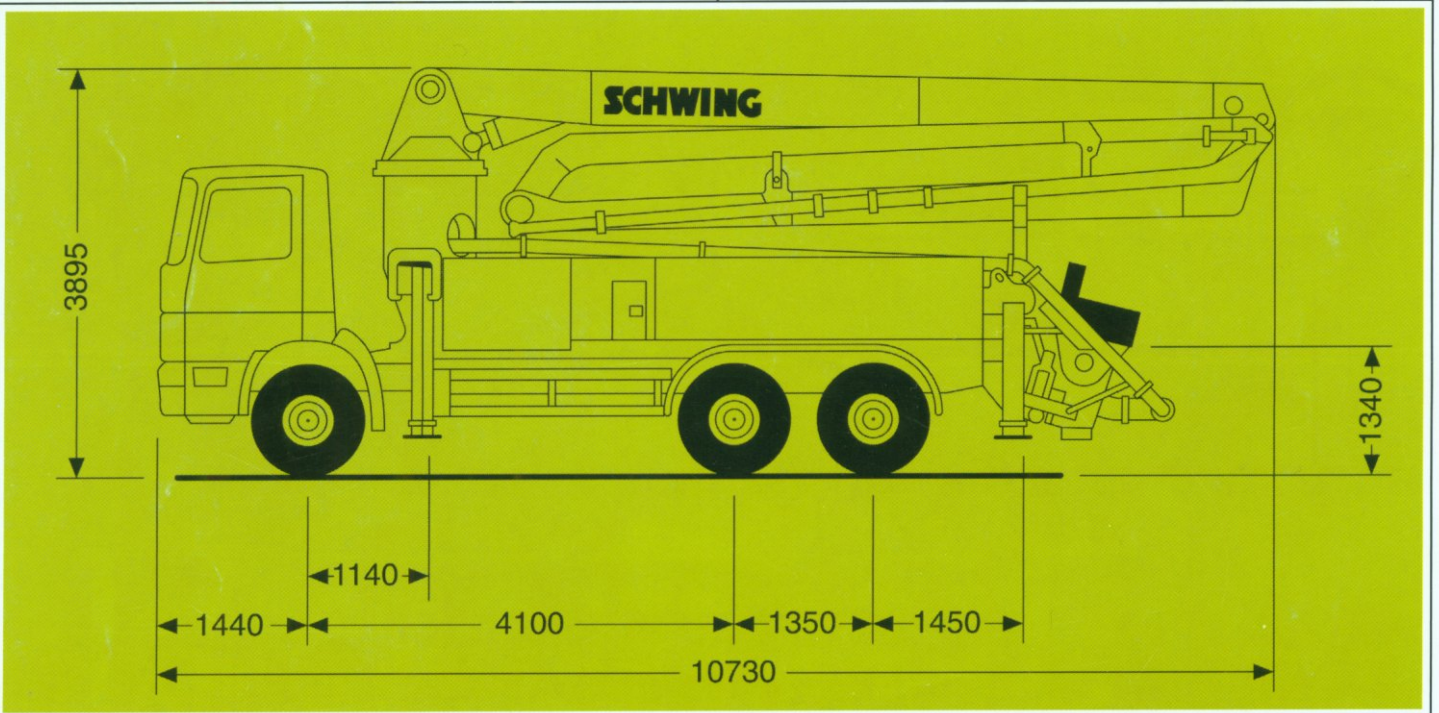
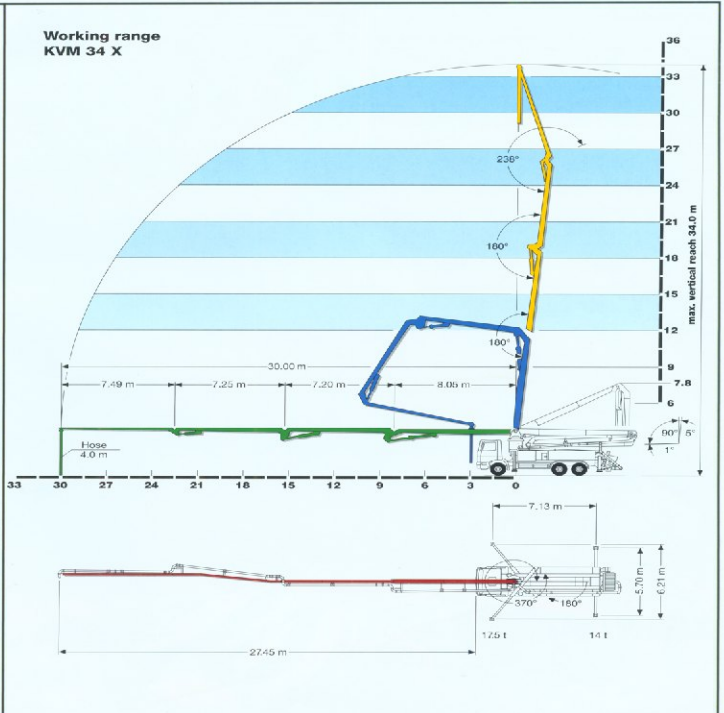


Minimum stroke rate under full load. Maximum output with a steady boom. Optimum service life of wearing parts.

Technical Data		
Pump battery	Output m ³ /h	max. pressure bar
P 2020-3	94	108*
P 2023-3	105	96*
P 2023-4	150	96*
P 2023-5	157	96*
P 2023-6	161	85

max. output and max. pressure cannot be reached simultaneously
* not permissible when pumping through boom pipe

Placing boom	KVM 34 X	
Delivery line diameter	∅	DN 125
Length of end hose	m	4
Vertical reach	m	34
Horizontal reach from center of rotation	m	30
Slewing range	550°	



SCHWING

SCHWING GmbH
P.O. Box 200362
D-44647 Herne
☎ 023 25/987-0
Fax 023 25/72922
E-Mail: info@schwing.de
<http://www.schwing.de>

Subject to modifications in the interest of technical progress. The exact scope of standard delivery is detailed in the offer.